

FEATURED MODEL

440009 Single Lever with Side Spray, CHROME

ADDITIONAL MODELS

440008 Single Lever with Side Spray, SATIN NICKEL

FEATURES

- Solid brass body and all metal side spray
- Ceramic disk cartridge
- Extra long supply lines
- 2.2 GPM flow rate
- Installation in a 1-3/8" hole, side spray in a 1-3/8" hole
- Color coded hot and cold supply lines
- 360 degree spout swivel
- 3-1/4" backsplash clearance off center
- 1-3/4" maximum deck thickness

OPTIONAL ACCESSORIES

Meridian Soap Dispenser: 440059 (Chrome)

CODE/STANDARDS COMPLIANCE

ASME A112.18.1-2011

IAPMO listed

AB1953 Lead Free

WARRANTY

BLANCO'S kitchen and bar faucets feature a LIMITED LIFETIME WARRANTY to be free of all manufacturing defects under normal use. See our complete warranty for details.

While BLANCO endeavors to provide accurate information, all dimensions are nominal, cannot be guaranteed, and are subject to change or cancellation. BLANCO assumes no responsibility for use of superseded or voided specifications.

JOB INFORMATION

Job Name: _____

Contact: _____

Date Specified: _____

Specifier: _____

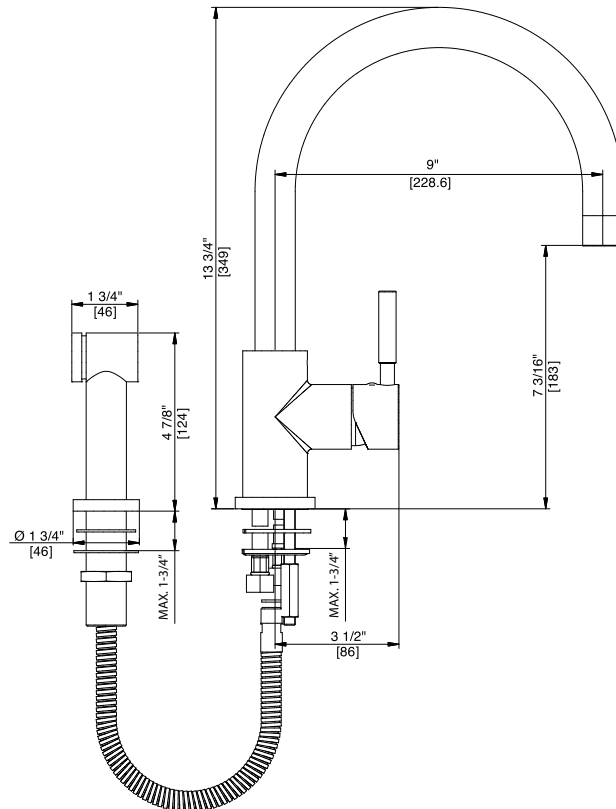
Contractor: _____



Model 440009 shown

NOMINAL DIMENSIONS

REACH	SPOUT HEIGHT	FAUCET HEIGHT
9"	7-3/16"	13-3/4"



See next page for exploded parts drawing and parts list.

BLANCO AMERICA

800.451.5782

www.blancoamerica.com

© 2013 BLANCO AMERICA

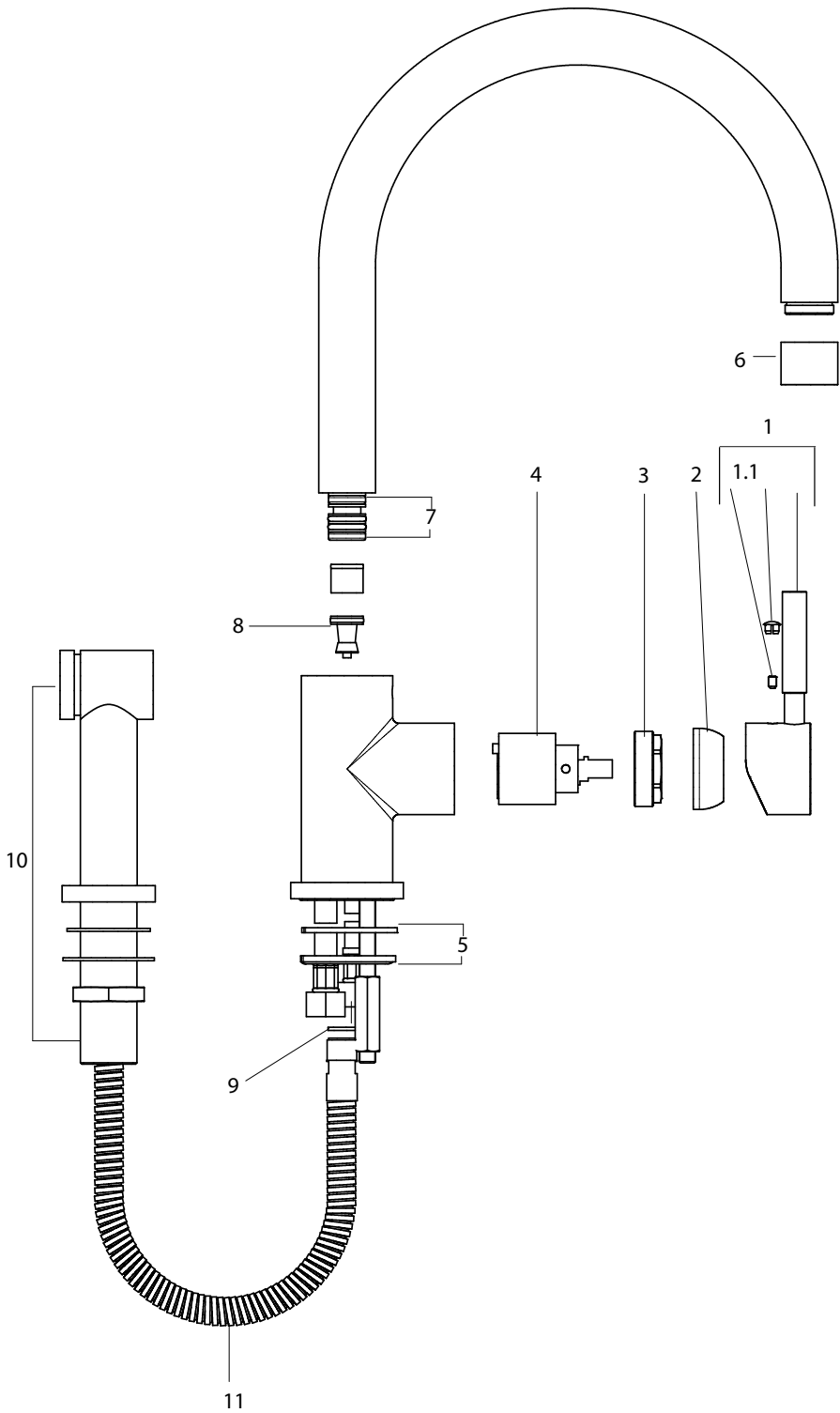
11/14

SPEC-004

Old Model #: 157-132-CR

REPAIR PART GUIDE

Num.	Description	Part #
1, 1.1	Handle, screw & cap - Chrome	441777
1.1	Handle - Screw and Cap only	441778
2	Cartridge - Cap	441780
3	Cartridge Lock Nut	441781
4	Cartridge	440750
5	Mounting nut assembly	441782
6	Aerator	441784
7	Ring set	441785
8	Diverter	440738
9	Bottom red washer	440759
10	Side spray - Chrome	440741
11	Hose kit	440771



Need to Change a Faucet Cartridge?

Scan this QR code to see our how-to video

For faucet technical support or questions, please e-mail us at faucets@blancoamerica.com